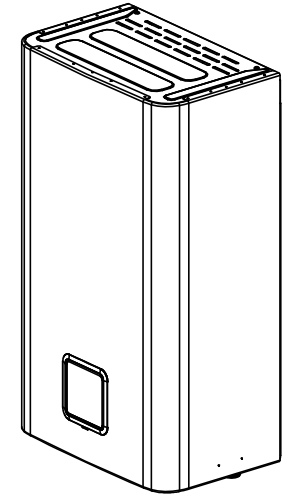
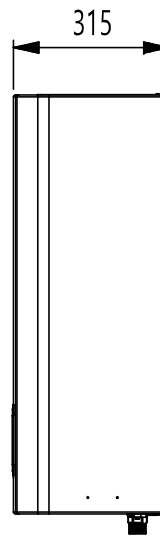
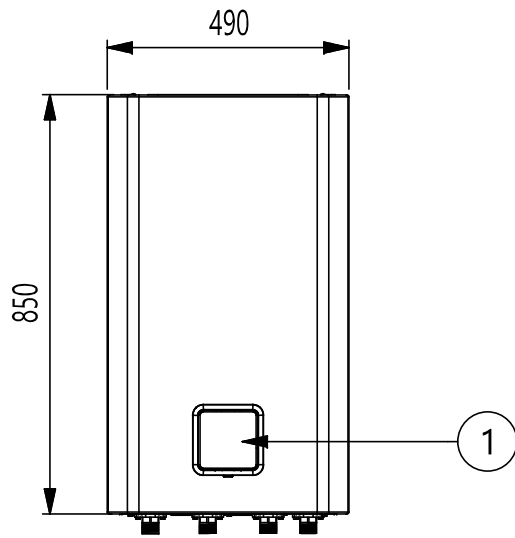


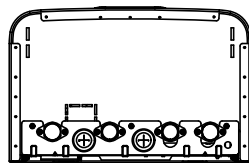
[Unit: mm]

Chassis code : K1

P/No. : TBJ37809601\_REV00



3D VIEW

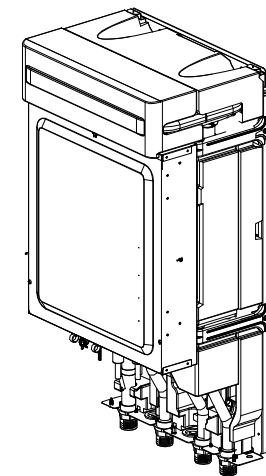
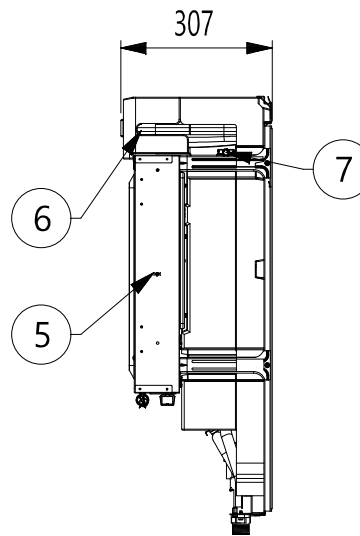
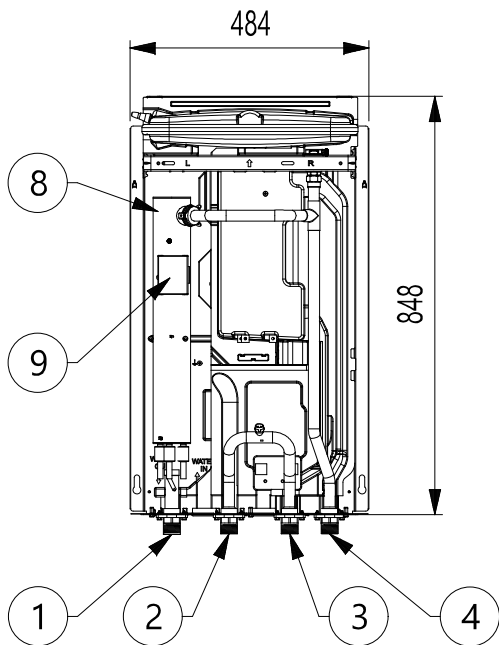


No.	Part Name	Description
1	Control Panel	Built-in Remote Controller

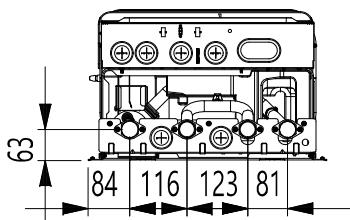
[Unit: mm]

Chassis code : K1

P/No. : TBJ37809602\_REV00



3D VIEW

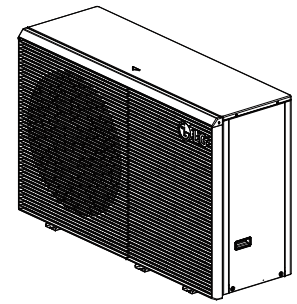


9	Thermal switch	Cut-off power input to backup heater at 90 °C (manual return at 55 °C)
8	Backup heater	Capacity : 1Φ 6kW, 3Φ 9kW
7	Air Vent	Air purging when charging water
6	Expansion Tank	Absorbing Volume change of heated water
5	Control Box	PCB and terminal blocks
4	Entering Water Pipe(ODU)	Male PT 1 inch
3	Leaving Water Pipe(ODU)	Male PT 1 inch
2	Entering Water Pipe(Heat load)	Male PT 1 inch
1	Leaving Water Pipe(Heat load)	Male PT 1 inch
No.	Part Name	Description

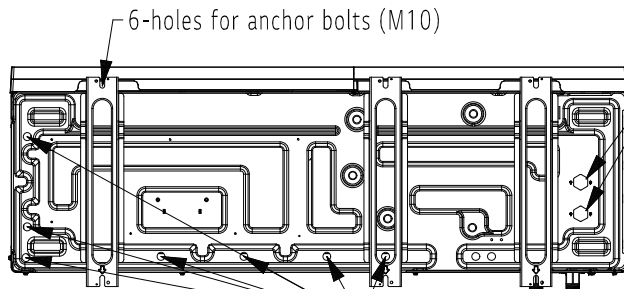
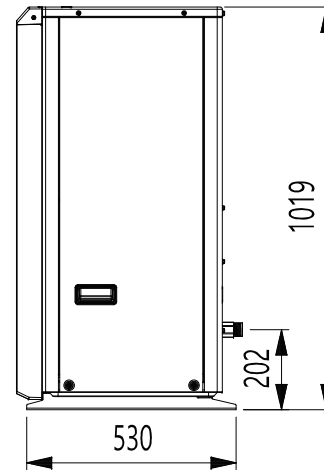
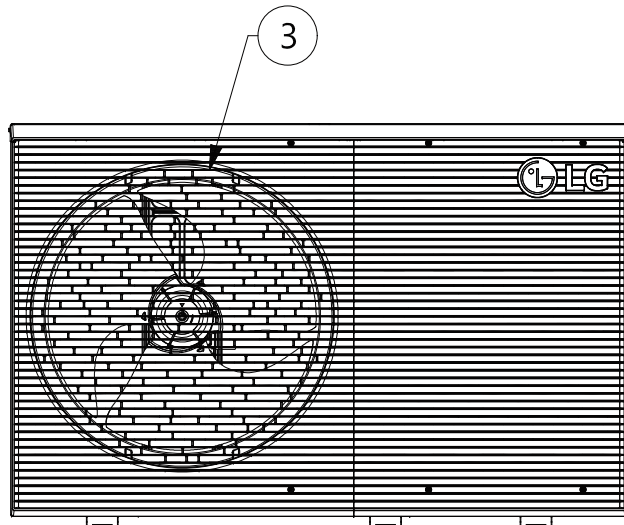
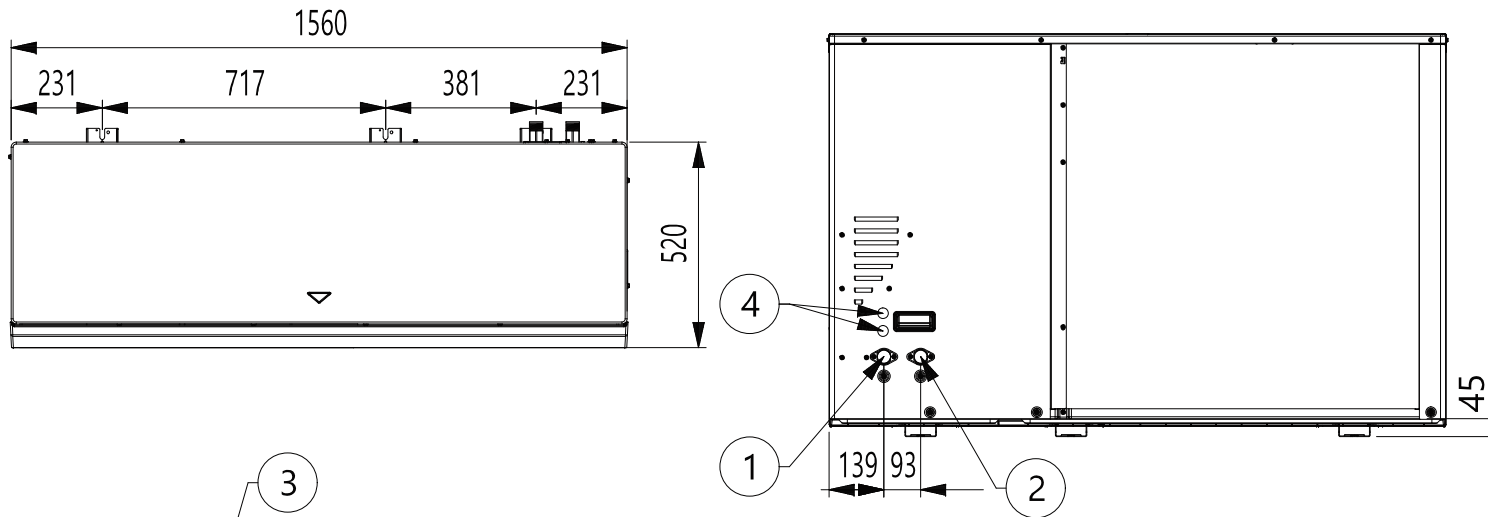
[Unit: mm]

Chassis code : UN60B

P/No. : TBW35993301\_REV00



3D VIEW



Drain holes for drain cap (7EA)  
Note.  
If you need more drains, remove them.

Holes for Downward connection.  
Note.  
Before piping, remove the cover brackets.

4	Access to electrical terminals	Power, Communication
3	Air discharge Grille	-
2	Entering Water Pipe	Male PT 1 inch
1	Leaving Water Pipe	Male PT 1 inch
No.	Part Name	Description